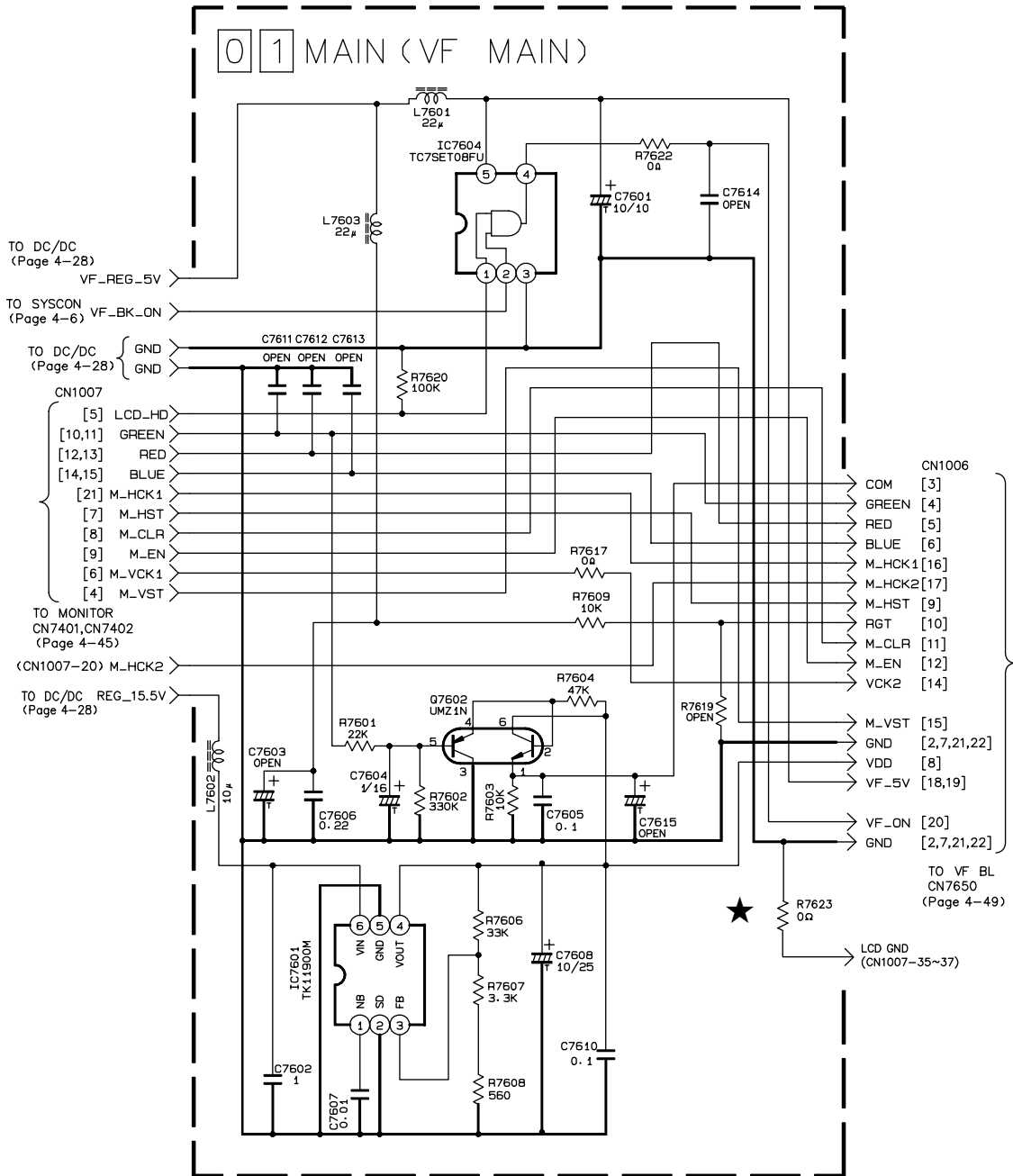


SECTION 4 CHARTS AND DIAGRAMS

4.1 VF MAIN SCHEMATIC DIAGRAM

Note: The mark ★ means modified points.



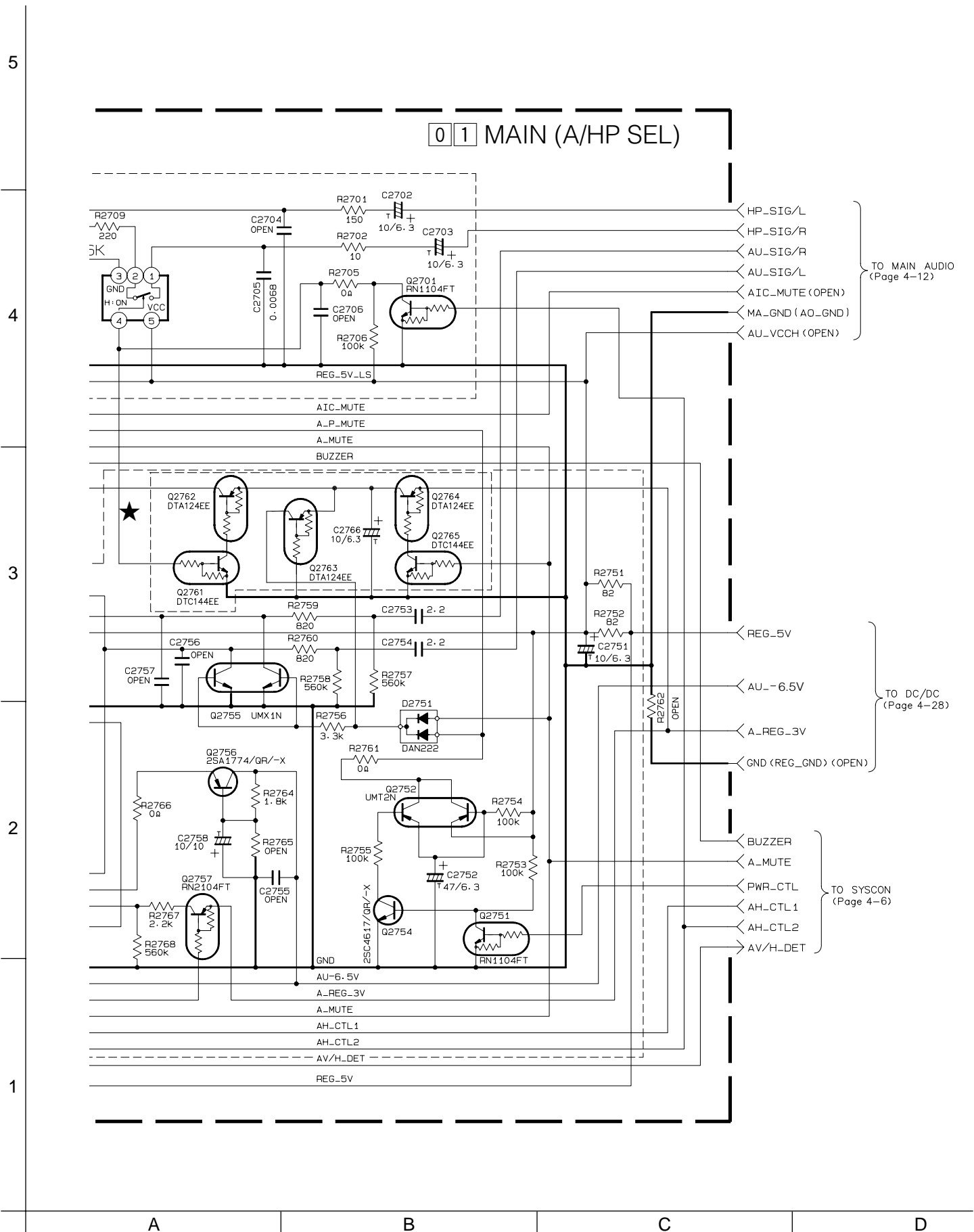
A

B

C

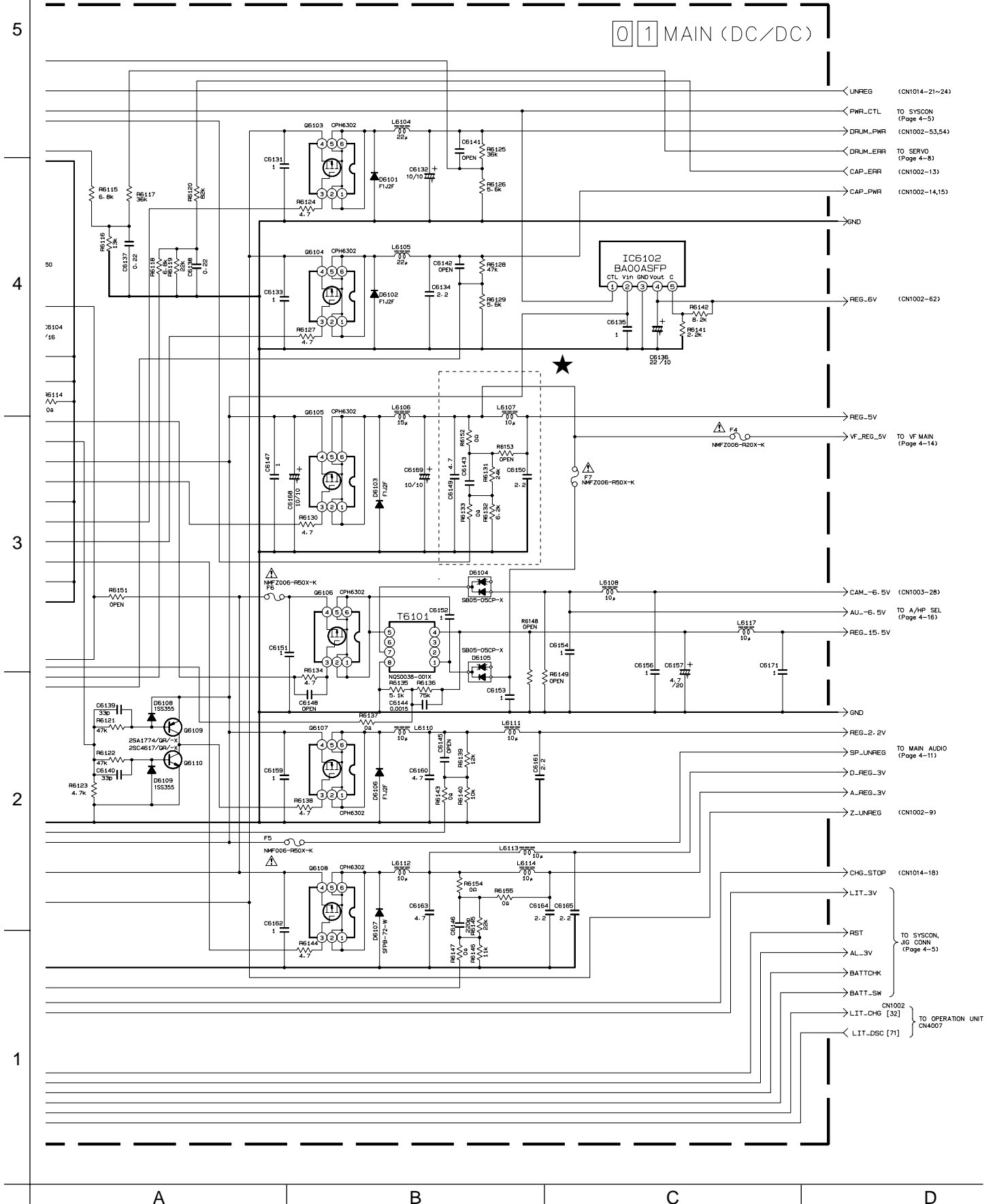
D

4.2 A/HP SEL SCHEMATIC DIAGRAM

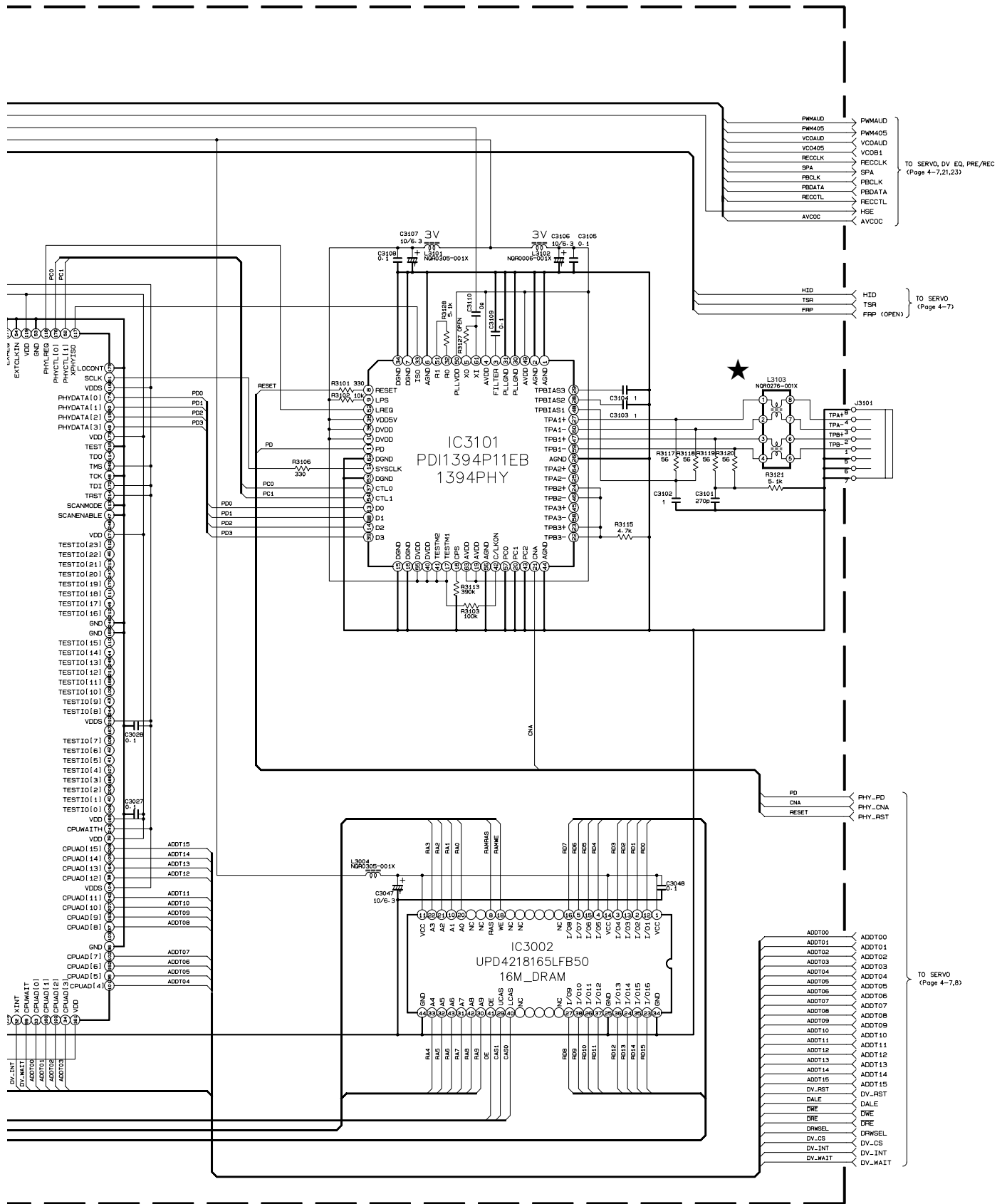


4.3 DC/DC SCHEMATIC DIAGRAM

Note : The mark ★ means modified points.



Note: The mark ★ means modified points.



TO SERVO, DV, EQ, PRE/REC
(Page 4-7, 21, 23)

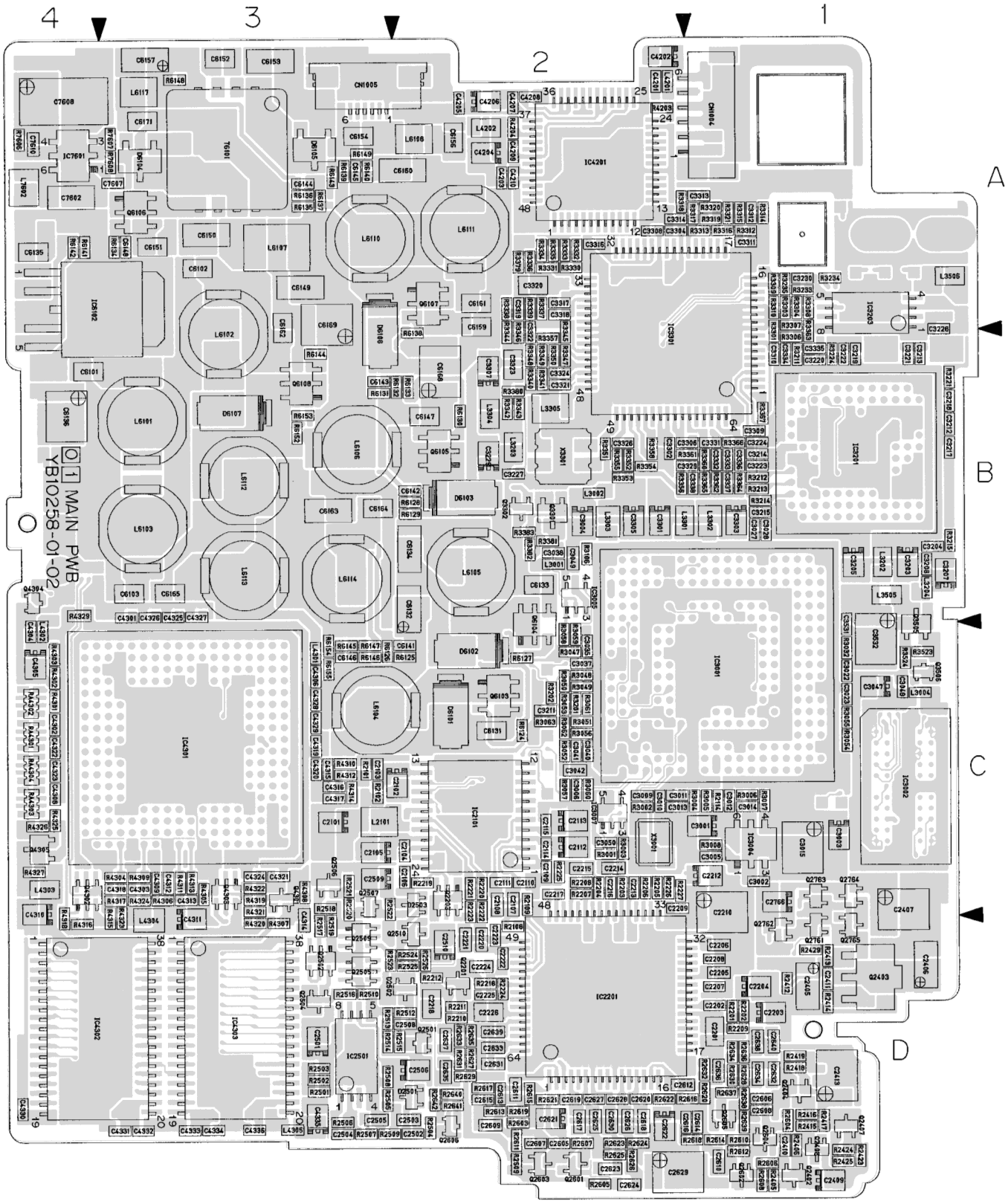
TO SERVO
(Page 4-7)

PHY_PD
CNA
RESET
PHY_CNA
PHY_RST

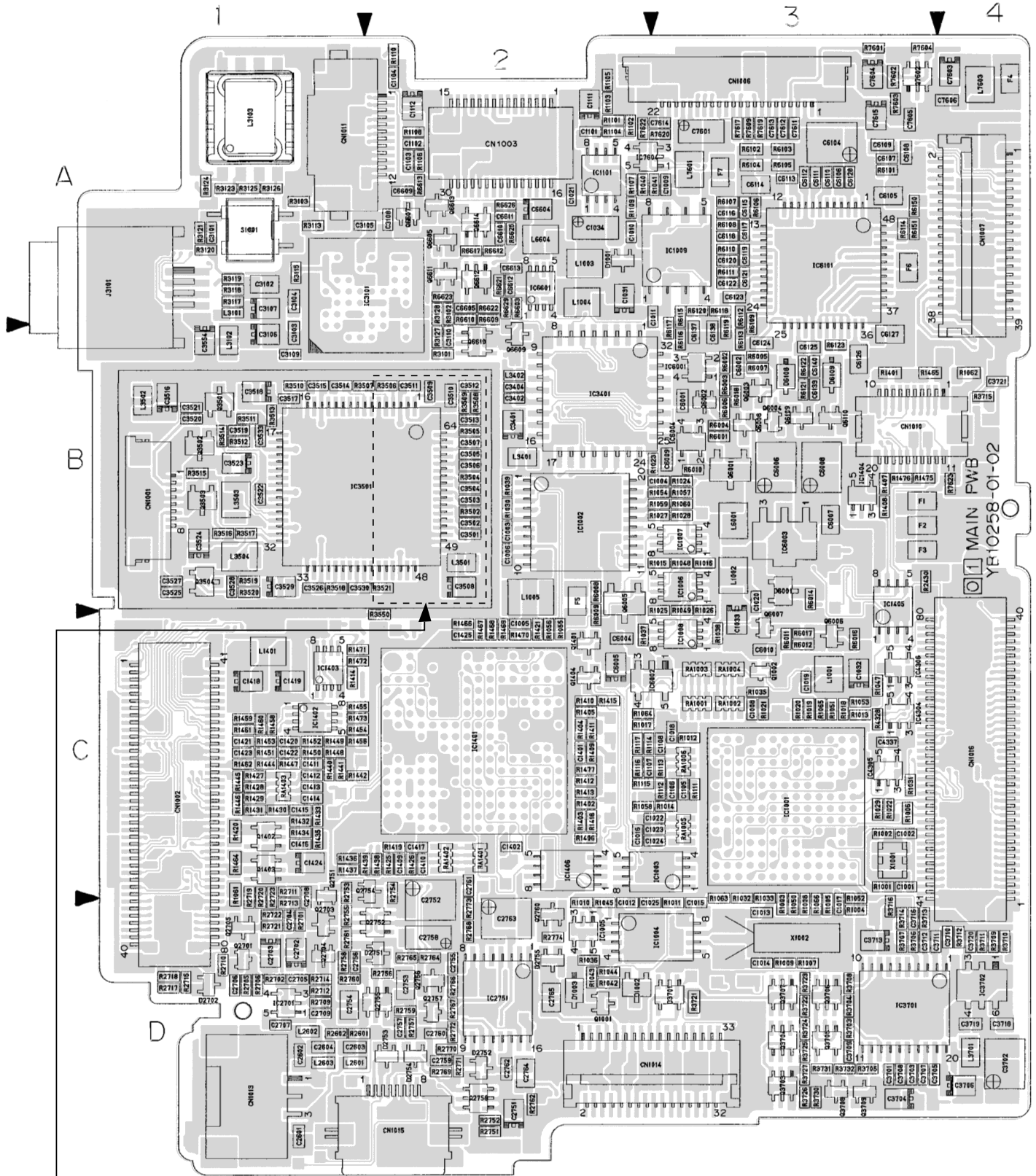
TO SERVO
(Page 4-7, 3)

4.5 MAIN CIRCUIT BOARD

FOIL SIDE (B)

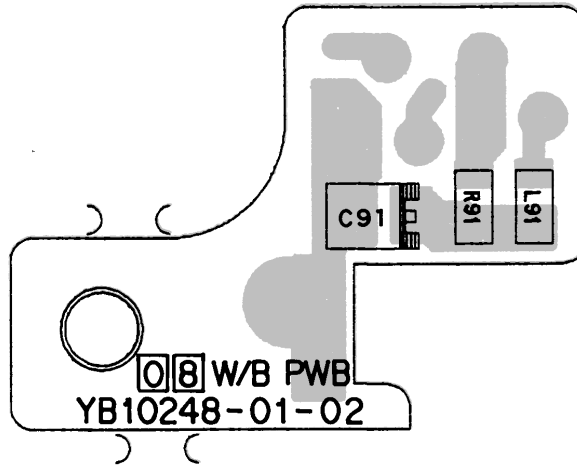


COMPONENT SIDE (A)

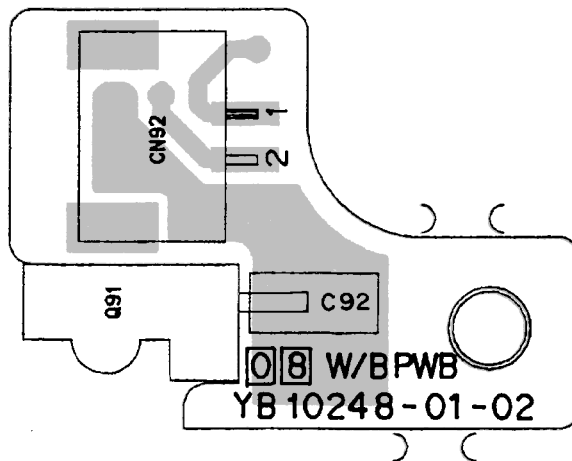


4.6 W/B AND JACK CIRCUIT BOARDS

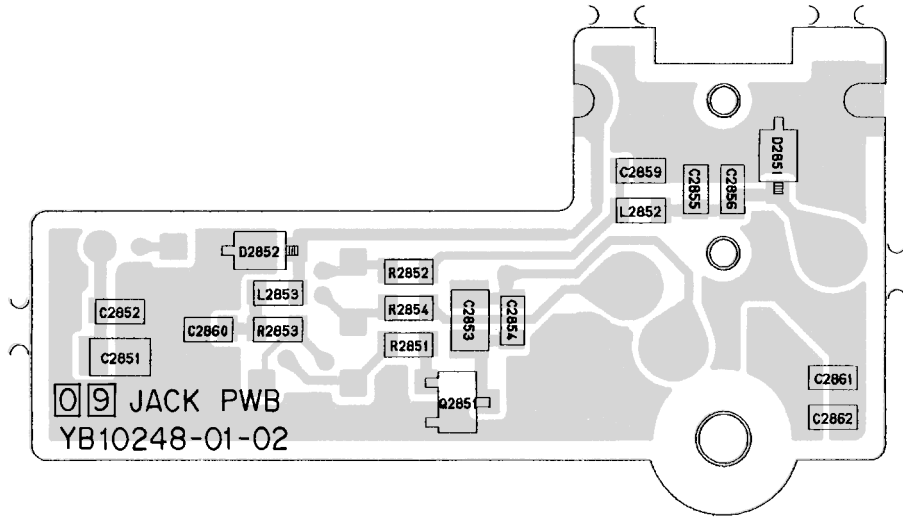
FOIL SIDE (B)



COMPONENT SIDE (A)



FOIL SIDE (B)



COMPONENT SIDE (A)

